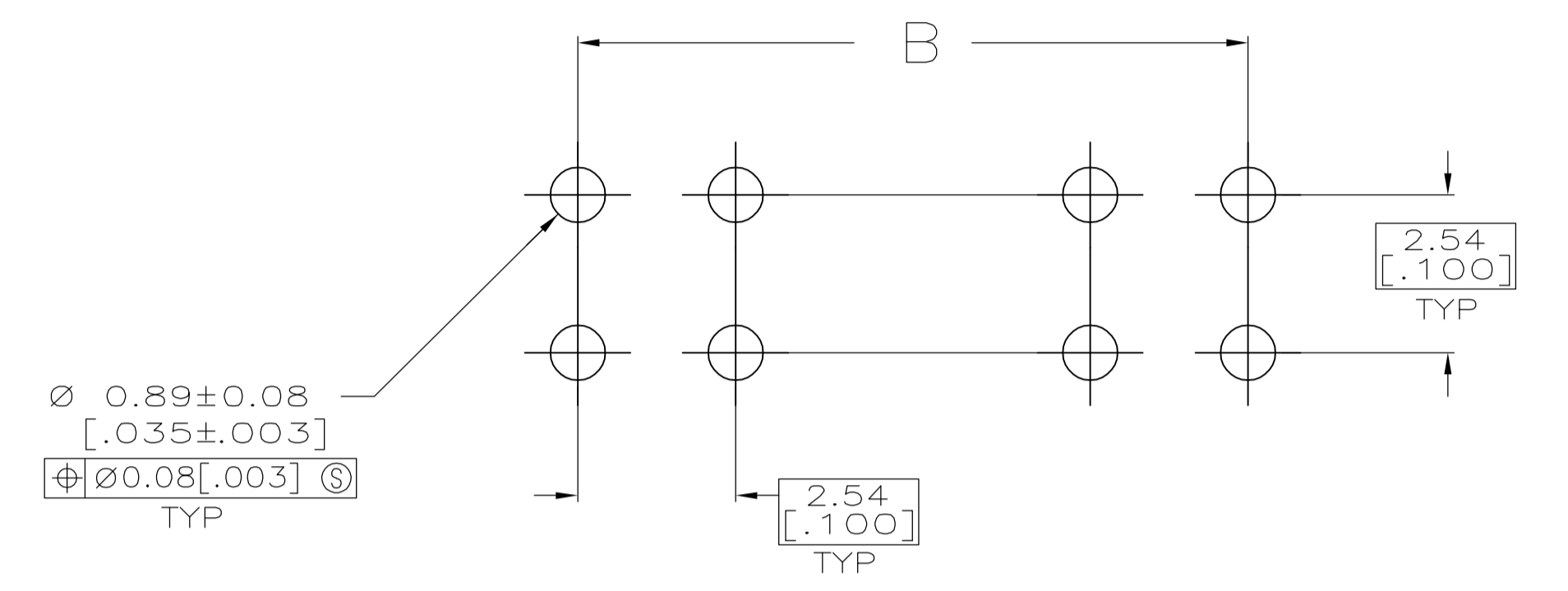
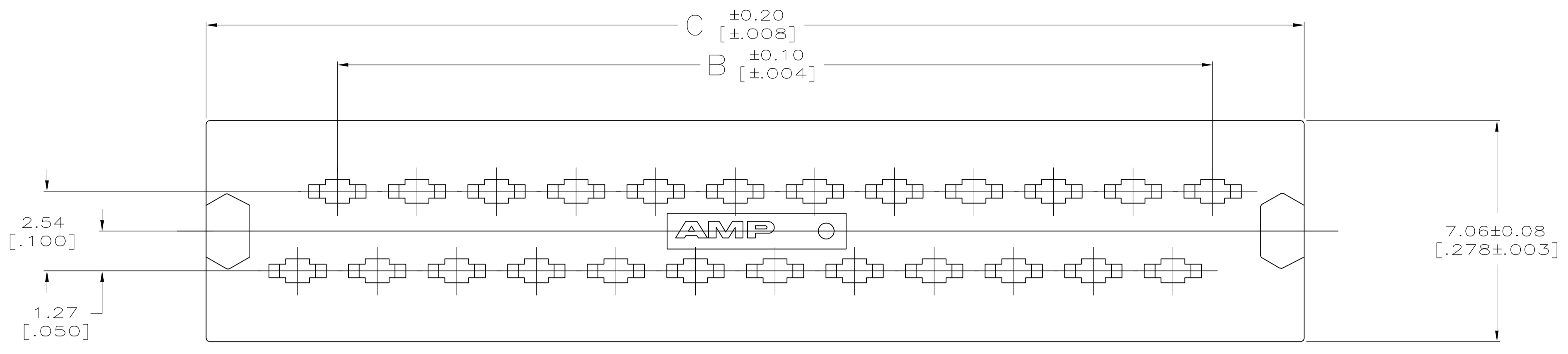
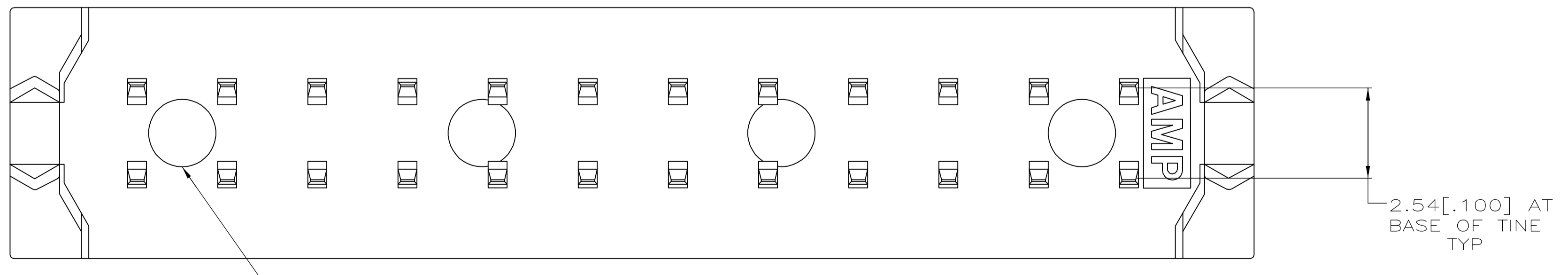
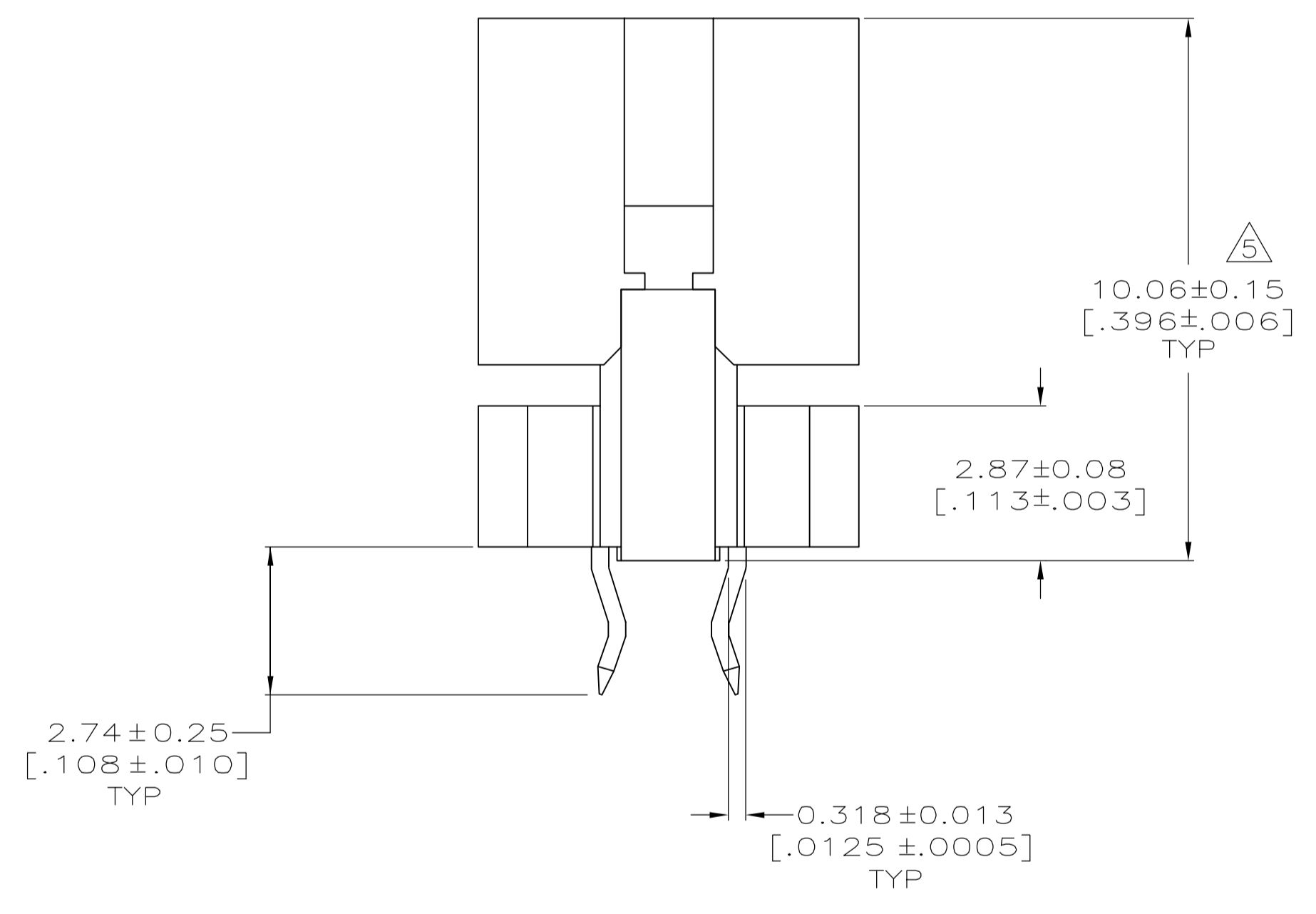
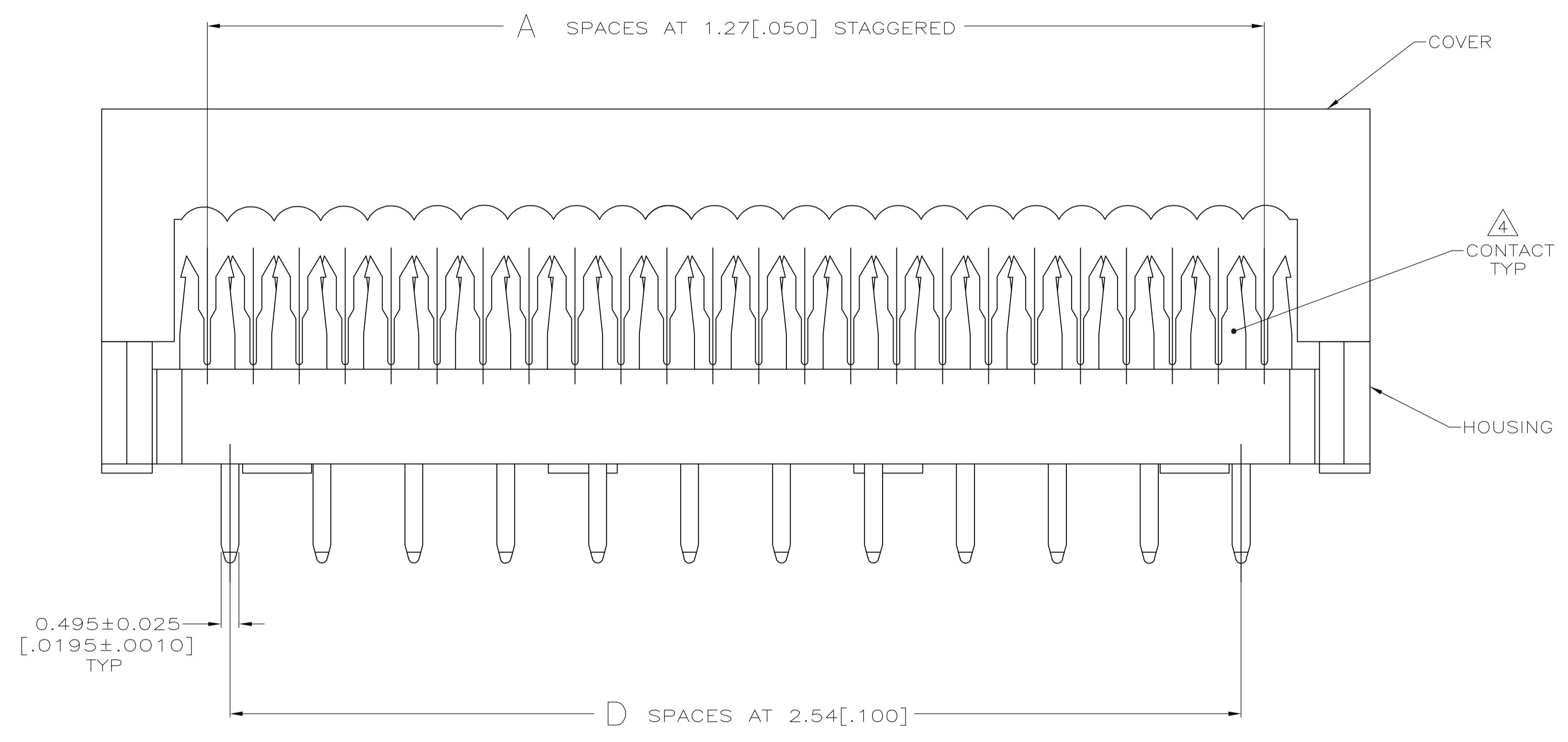


- ⚠ HOUSING & COVER: POLYESTER, BLACK, UL 94V-0 RATED.
- ⚠ CONTACTS: PHOSPHOR BRONZE.
- ⚠ CONTACTS: 1.27μm[.000005] MIN GOLD ON RIBBON CABLE TERMINATION AREA
2.54μm[.000100] MIN MATTE TIN ON SOLDER TAILS, ALL OVER
1.27μm[.000050] MIN NICKEL.
- ⚠ CONTACTS WILL ACCEPT 28 AWG STRANDED OR 26, 28, 30 AWG SOLID WIRE.
- ⚠ HEIGHT AFTER TERMINATION IS 6.43[.253].



RECOMMENDED HOLE LAYOUT



STANDOFF SEE TABLE

8	24	68.07[2.680]	60.96[2.400]	49	50	1-5111852-0
NO OF STANDOFFS	D	C	B	A	NO OF POSN	PART NO
THIS DRAWING IS A CONTROLLED DOCUMENT.						
DIMENSIONS: mm [INCHES]		TOLERANCES UNLESS OTHERWISE SPECIFIED:		DIN G. ATTADIA - 11-29-04 C. ROHDE 11-29-04 M. WALMSLEY 11-29-04 Tyco Electronics Corporation Harrisburg, PA 17105-3608		
0 PLC ± - 1 PLC ± - 2 PLC ± 0.13 [.005] 3 PLC ± - 4 PLC ± - ANGLES ± -		PRODUCT SPEC: 108-40013 APPLICATION SPEC: 114-40005		NAME: PLUG ASSEMBLY, DIP, AMP-LATCH SIZE: A1 CASE CODE: 00779 DRAWING NO: 5111852 RESTRICTED TO: -		
MATERIAL: ⚠		FINISH: ⚠		WEIGHT: - CUSTOMER DRAWING: - SCALE: 10:1 SHEET: 1 of 1 REV: A		